

*solucionesairbag*

Paseo de los Olivos, 35 28935 Móstoles (Parque Coimbra) Madrid.

Tlf y Whatsapp: 608540592

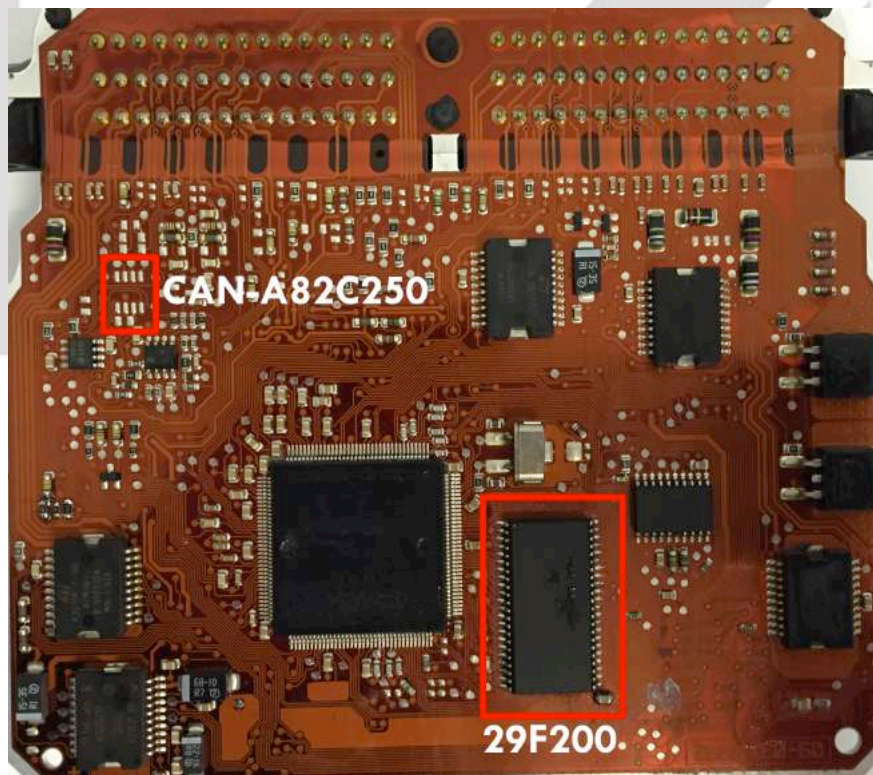
Correo electrónico: solucionesairbag@gmail.com



## Renault SIRIUS 32N Velocidad CAN 250 KB/S



SIEMENS SIRIUS 32N 8200035692  
S110130034 A 8200044437  
D / 04218 / 231039398 / 03192  
RENAULT



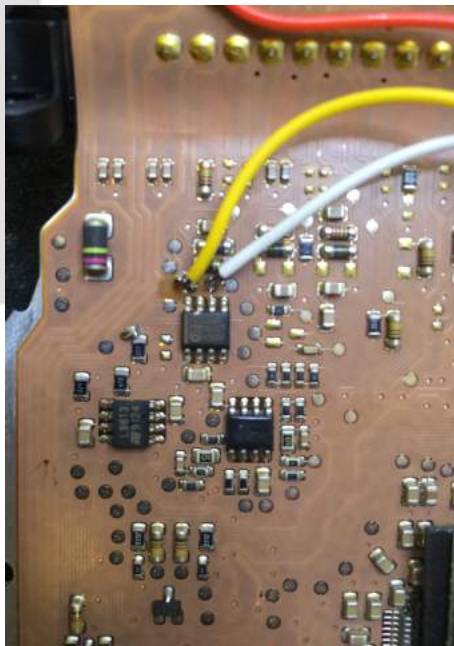
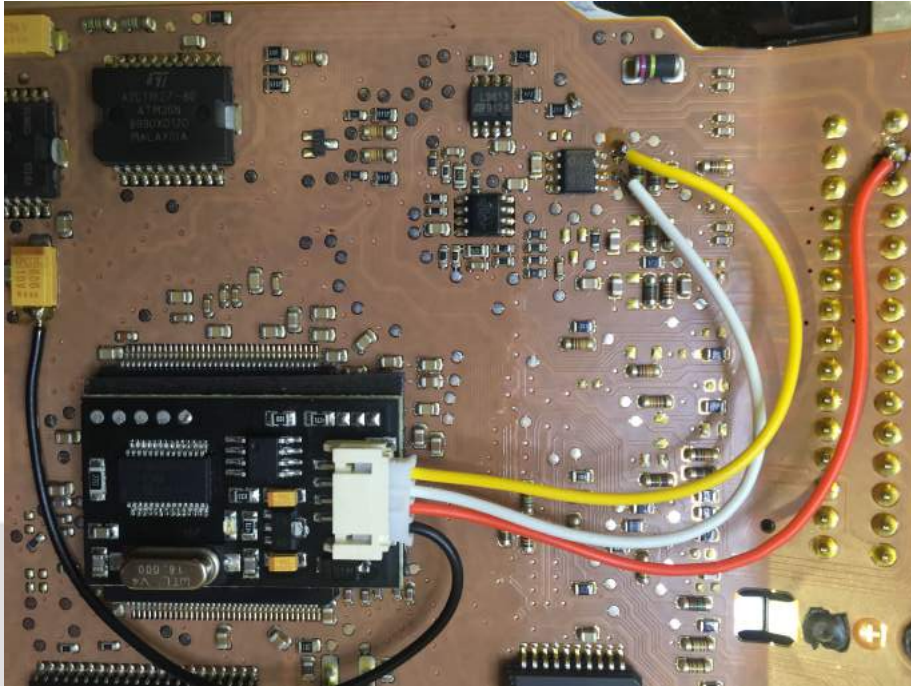
CON TRANSDUCTOR **CAN-A82C250** : CAN

# *solucionesairbag*

Paseo de los Olivos, 35 28935 Móstoles (Parque Coimbra) Madrid.

Tlf y Whatsapp: 608540592

Correo electrónico: solucionesairbag@gmail.com



**Rojo** = 12v  
**Negro** = Negativo  
**Amarillo** = Can H  
**Blanco** = Can L

*solucionesairbag*

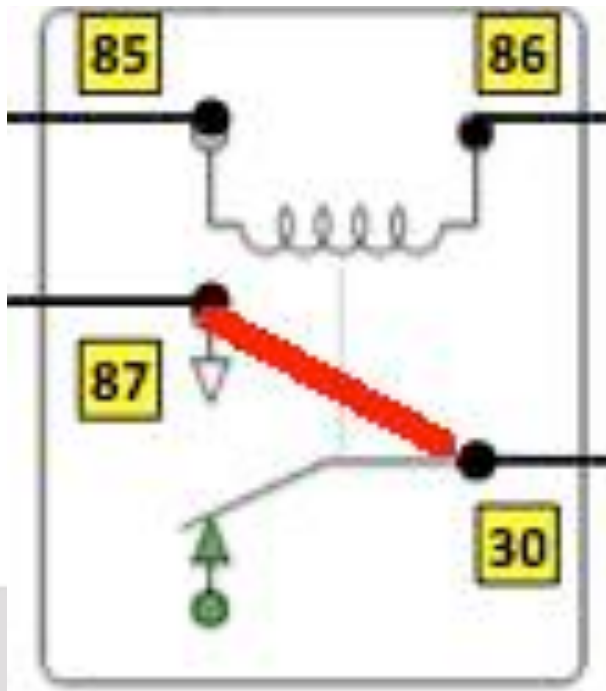
Paseo de los Olivos, 35 28935 Móstoles (Parque Coimbra) Madrid.

Tlf y Whatsapp: 608540592

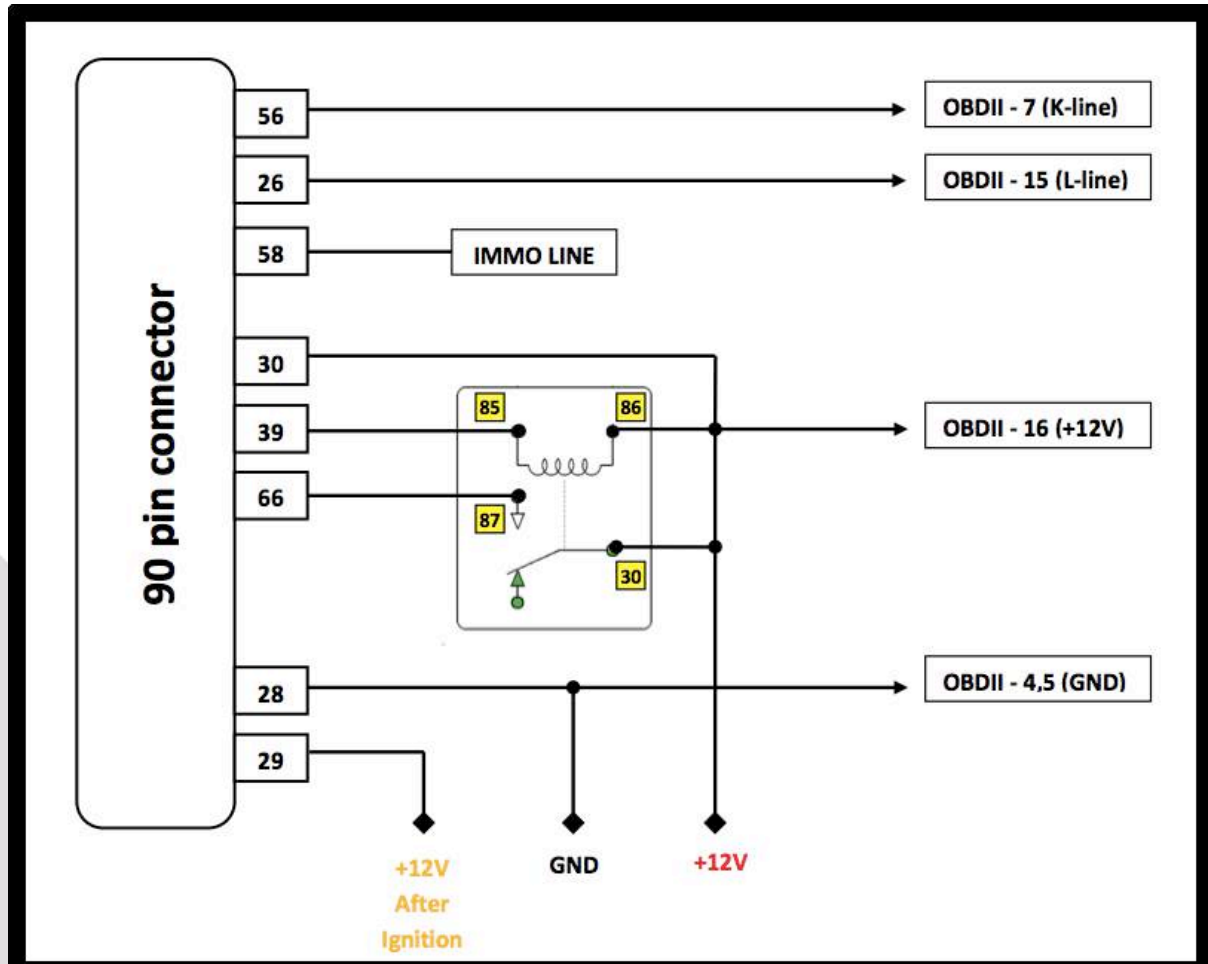
Correo electrónico: solucionesairbag@gmail.com



# RELE MOTOR DE ARRANQUE



Realizar puente entre pines **30** y **87**



***IMPORTANTE:*** Necesario alimentar en banco para emparejamiento entre unidad y emulador.

Repetir operación 3 ciclos de contacto.

Verificar funcionamiento :El emulador debe parpadear rápidamente (proceso OK)

# solucionesairbag

Paseo de los Olivos, 35 28935 Móstoles (Parque Coimbra) Madrid.

Tlf y Whatsapp: 608540592

Correo electrónico: solucionesairbag@gmail.com



\RENAULT\GASOLINA\SIRIUS\S110030034 A\29F200_ORI.bin																
OFFSET	00	01	02	03	04	05	06	07	08	09	0A	0B	0C	0D	0E	0F
00004390	FF	FF	FF	FF	FF	FF	FF	FF	FF	FF	FF	FF	FF	FF	FF	FF
000043A0	FF	FF	FF	FF	FF	FF	FF	FF	FF	FF	FF	FF	FF	FF	FF	FF
000043B0	FF	FF	FF	FF	FF	FF	FF	FF	FF	FF	FF	FF	FF	FF	FF	FF
000043C0	FF	FF	FF	FF	FF	FF	FF	FF	FF	FF	FF	FF	FF	FF	FF	FF
000043D0	FF	FF	FF	FF	FF	FF	FF	FF	FF	FF	FF	FF	FF	FF	FF	FF
000043E0	FF	FF	FF	FF	FF	FF	FF	FF	FF	FF	FF	FF	FF	FF	FF	FF
000043F0	FF	FF	FF	FF	FF	FF	FF	FF	FF	FF	FF	FF	FF	FF	FF	FF
00004400	C8	97	00	00	00	00	00	00	00	00	00	00	00	00	00	00
00004410	00	00	00	00	00	00	00	33	04	36	72	F1	F1	76	3B	10
00004420	00	00	00	00	00	00	00	00	00	00	00	00	00	00	00	00
00004430	00	00	00	00	00	00	00	00	00	00	00	00	00	00	00	00
00004440	00	00	00	00	00	00	00	00	00	00	00	00	00	00	00	00
00004450	00	00	5F	9F	00	00	00	00	00	4E	40	46	4E	01	00	00
00004460	00	00	00	00	00	00	00	00	00	00	00	00	00	00	00	00
00004470	00	00	00	00	00	00	00	00	00	00	00	00	00	00	00	00
00004480	FF	FF	FF	FF	FF	FF	FF	FF	FF	00	80	BF	BF	8C	C2	
00004490	F0	F0	07	ED	20	00	C8	97	00	00	1F	23	10	10	00	00
000044A0	00	00	00	00	00	00	00	00	00	00	00	00	00	00	0C	69
000044B0	10	18	60	D0	60	80	20	20	50	30	F0	F0	50	B0	40	38
000044C0	A0	E0	00	00	FF	FF	FF	FF	FF	FF	FF	FF	D8	87	00	00
000044D0	00	00	00	00	00	00	84	26	FC	1A	BF	FF	16	D6	D6	32

\RENAULT\GASOLINA\SIRIUS\S110030034 A\29F200_for_emu.bin																
OFFSET	00	01	02	03	04	05	06	07	08	09	0A	0B	0C	0D	0E	0F
00004390	FF	FF	FF	FF	FF	FF	FF	FF	FF	FF	FF	FF	FF	FF	FF	FF
000043A0	FF	FF	FF	FF	FF	FF	FF	FF	FF	FF	FF	FF	FF	FF	FF	FF
000043B0	FF	FF	FF	FF	FF	FF	FF	FF	FF	FF	FF	FF	FF	FF	FF	FF
000043C0	FF	FF	FF	FF	FF	FF	FF	FF	FF	FF	FF	FF	FF	FF	FF	FF
000043D0	FF	FF	FF	FF	FF	FF	FF	FF	FF	FF	FF	FF	FF	FF	FF	FF
000043E0	FF	FF	FF	FF	FF	FF	FF	FF	FF	FF	FF	FF	FF	FF	FF	FF
000043F0	FF	FF	FF	FF	FF	FF	FF	FF	FF	FF	FF	FF	FF	FF	FF	FF
00004400	C8	97	00	00	00	00	00	00	00	00	00	00	00	00	00	00
00004410	00	00	00	00	00	00	00	33	04	36	72	F1	F1	76	3B	10
00004420	00	00	00	00	00	00	00	00	00	00	00	00	00	00	00	00
00004430	00	00	00	00	00	00	00	00	00	00	00	00	00	00	00	00
00004440	00	00	00	00	00	00	00	00	00	00	00	00	00	00	00	00
00004450	00	00	5F	9F	00	00	00	00	00	4E	40	46	4E	01	00	00

ENTRE LAS FILAS **4000** Y **7FFF**  
 CAMBIAR **TODOS** LOS VALORES **64 C7** o **54 D7**  
 Y SUS DOS VALORES ANTERIORES POR **FF FF FF FF**

*solucionesairbag*

Paseo de los Olivos, 35 28935 Móstoles (Parque Coimbra) Madrid.

Tlf y Whatsapp: 608540592

Correo electrónico: solucionesairbag@gmail.com



## Renault ECU Tool



Con la herramienta OBD II conseguimos modificar la EEPROM sin manipular la Unidad de Control.

Con este procedimiento se prepara de forma automática la EEPROM, solo es necesario la instalación del emulador en la línea CAN.

***SI ESTÁ INTERESADO EN OBTENER LA HERRAMIENTA RENAULT ECU TOOL PÓNGASE EN CONTACTO CON NOSOTROS.***